



Softeners

MEDALLIST

Technical Sheet



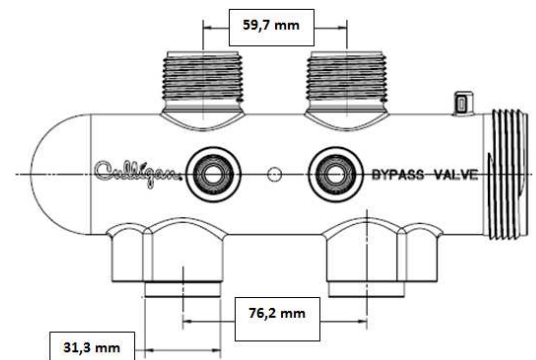
M009-27 – Rev. 03 - 10/2017

The Culligan Medallist water softener is a specific device for removing hardness (calcium and magnesium), by means of selected Cullex strong cation exchange resins in sodium cycle and suitable for contact with water for food use, normally regenerated with sea salt.

The control system with motorized piston consists of a valve in anti-corrosion material, controlled by an electronic control unit that allows the regeneration program to be started in the following ways:

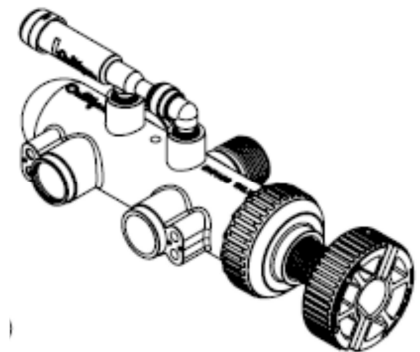
- Time clock
- Meter
- Meter with volume domestic

The control valve has a bypass for excluding the water softening system from the water mains. With the bypass it is possible to use hard water when required, without wasting the availability of softened water, and saving on salt consumption. The bypass is equipped with the hardness mixing valve. Through this valve can be adjusted the residual hardness in the service.



The vertical cylindrical-shaped container is in non-toxic plastic material (exclusive Culligan "Quadra-Hull[®]" patent) consisting of four superimposed layers:

- A food-grade inner liner
- A body in glass fibre reinforced epoxy resin
- An additional reinforcement in carbon, which ensures excellent resistance to pressure
- A directly sealed outer covering, resistant to moisture and ultraviolet rays



The food-grade Cullex cationic resin exchanges the limescale contained in the water. Once saturated, the resin is regenerated with salt to restore the original exchange capacity.

The salt container in high-density polyethylene can contain 30 to 140 kg of salt, depending on the models. For optimum operation make sure to use Culligan bacteriostatic salt.

The time-operated salt container filling device has a brine valve with safety float and overflow fitting, for connecting to the drain, to prevent any possible spilling of water from the salt container.

All models are equipped with a system for automatic disinfection of the resins at each regeneration.

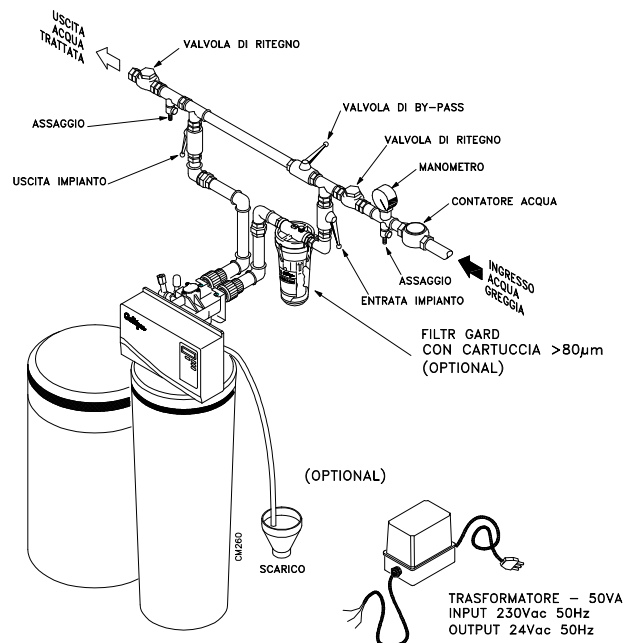
SAFETY WARNINGS

- **Equipment for the treatment of potable water, conforming with the requirements of Min. Decree 25/2012.**
- Refer to the technical manual supplied with the system for all information and instructions.
- **The water softener must be installed by qualified personnel, in compliance with Min. Decree 37/08, the best state of the art and in conformity with the instructions given in the technical manual.**
- **Attenzione: questa apparecchiatura necessita di una regolare manutenzione periodica al fine di garantire i requisiti di potabilità dell'acqua potabile trattata ed il mantenimento dei miglioramenti come dichiarati dal produttore.**
- Any handling, installation, maintenance and repair work on the systems must be carried out by qualified personnel in compliance with Min. Decree 37/08, the best state of the art and in conformity with the instructions given in the technical manual.
- The place where the systems, auxiliary material and consumables are located must comply with the storage, use and safety requirements of the current regulations.
- The water produced by every unit must only be used for its specifically intended purpose. Culligan declines any liability for the consequences of improper use of the water produced by its equipment.
- Any operation fault in the systems must be promptly reported to the Culligan Service Center. Culligan declines any liability for the consequences of prolonged use of a faulty system.
- When necessary, the choice, dosing and handling of chemicals must be done by professionally qualified personnel, complying with the instructions given by Culligan and in the Technical Safety sheets.
- Waste or consumable materials from the water treatment systems must be disposed of in accordance with the current regulations.
- Do not place the device on top of other electrical appliances.
- Position the device away from heat sources.
- In case of an anomaly (water leaks, etc.), disconnect the power supply and close the water inlet shutoff valve.
- Culligan also declines any liability in the following specific cases:
 - improper use of the device;
 - use contrary to the specific national regulations (power and water supplies, installation and maintenance);
 - installation without following the instructions supplied in this manual;
 - power and water supply faults (electrical discharges – voltage rushes – water supply overpressure – low water pressure);
 - unsuitable ambient operating temperature;
 - inadequate maintenance;
 - unauthorized work or modifications;
 - use of non-original replacement parts or not specific for the model;
 - total or partial non-compliance with the instructions;

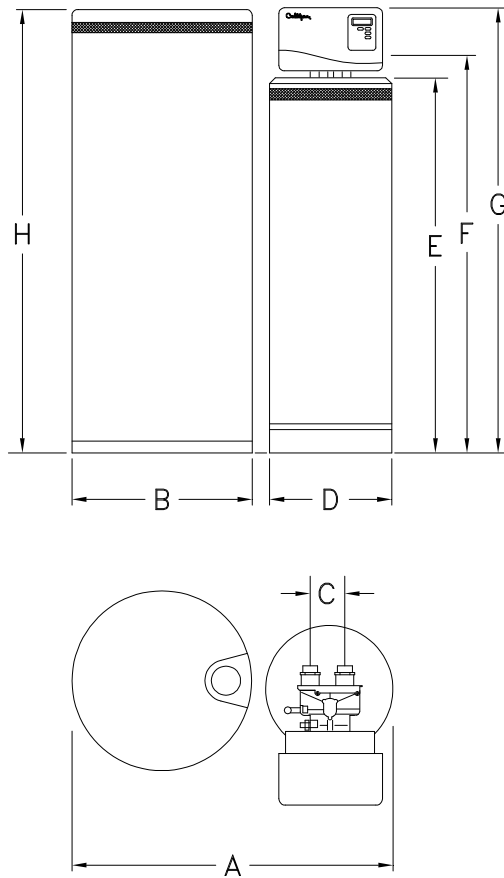
For anything not specified, the operator must rely on common sense when using the device.

INSTALLATION

The water softener must be installed by qualified personnel, in accordance with the best state of the art and the instructions given in the technical manual.



OVERALL DIMENSIONS



BX988_2

Model	A	B	C	D	E	F	G	H	Fittings IN/OUT
	mm	mm	mm	mm	mm	mm	mm	mm	inch
MED 910/30	600	330	59,7	245	480	555	690	495	¾ M
MED 910/50	600	330	59,7	245	480	555	690	790	¾ M
MED 915/50	600	330	59,7	245	925	1010	1145	790	¾ M
MED 915/100	680	406	59,7	245	925	1010	1145	1016	¾ M
MED 925	770	465	59,7	255	1080	1170	1300	1080	¾ M
MED 1042	770	465	59,7	255	1380	1480	1600	1080	¾ M

MAINTENANCE

In order to keep the softener in good operating conditions, it is necessary to check the unit at least once a year. In special conditions (i.e.: raw water with lot of turbidity and Chlorine, or very hardness raw water) it is necessary a more frequent check. If unit has been out of working for a long period, contact the after-sales Culligan centre to effect a general check before having it operating.

In case of prolonged non-use of the system, it is necessary to call the Culligan Service Center, which will carry out a general check of the water softener before it is put back into service.



CLEANING THE WATER SOFTENER

Use non-abrasive detergents and hot water only to clean the exterior of water softener components. Never use products containing acids.

SALT

Use only Culligan quality salt. Do not use cooking, fine or rock salt, or any other type. Water softeners using sodium chloride for regeneration add sodium to the water. Persons on sodium restricted diets should consider the added sodium as part of their overall sodium intake. Even when using Culligan quality salt, the container must be occasionally cleaned to remove impurities that may build up on the bottom and thus impair softener efficiency. Cleaning can be performed by your local Culligan dealer, or by following the instructions given in the paragraph "Cleaning the salt container" below.

ATTENTION: Water softeners that use the sodium chloride for regeneration add sodium to the water. Persons on a low-salt diet must take this into account in the calculation of their daily sodium intake; in these cases potassium chloride (KCl) can be used for regeneration.

WARRANTY

The system is guaranteed for a period of two years, according to that given on the Culligan warranty claim/certificate. Refer to this certificate for the part regarding the terms and that giving the limits. The warranty is invalidated if the system and/or its components are tampered with or in case of damage caused by power supply over voltages. The warranty is invalidated in case of conditions or uses not envisaged for normal use of the system.

TECHNICAL SPECIFICATIONS

Model	910/30	910/50	915/50	915/100	925	1042
Overall softener height Max mm	690	790	1145	1145	1300	1600
Tank	Quadra-Hull™					
Resin Tank Dimensions (Dia x H) mm	245 x 480	245 x 480	245 x 925	245 x 925	255 x 1080	255 x 1380
Salt storage Tank dimensions (Dia x H) mm	330 x 495	330 x 790	330 x 790	406 x 1016	465 x 1080	465 x 1080
Exchange media, type and quantity (liters)	Cullex® 10 L	Cullex® 10 L	Cullex® 15 L	Cullex® 15 L	Cullex® 25 L	Cullex® 42 L
Underbedding, type and quantity (Kg.)	Cullsan® 4,5Kg	Cullsan® 4,5Kg	Cullsan® 4,5Kg	Cullsan® 4,5Kg	Cullsan® 4,5Kg	Cullsan® 4,5Kg
Exchange capacity recharge (m ³ x°f/Kg)	35 m ³ x°f/1 Kg 60 m ³ x°f/3 Kg	35 m ³ x°f/1 Kg 60 m ³ x°f/3 Kg	65 m ³ x°f/1,5 Kg 105 m ³ x°f/4 Kg	65 m ³ x°f/1,5 Kg 105 m ³ x°f/4 Kg	100 m ³ x°f/4 Kg 175 m ³ x°f/7 Kg	170 m ³ x°f/4 Kg 260 m ³ x°f/8 Kg
Salt storage capacity (Kg.)	30	50	50	100	170	170
Rated service flow – Pressure drop (Lt/min – bar)	30 l/min - 1 bar					
Operating Pressure * (bar)	Min 1,5 – Max 8,6 bar					
Operating Temperature (°C)	Min 1 – Max 50 °C					
Electrical requirements	230/24V – 50/60 Hz					
Electrical power consumption	Min 3 – Max 35 watts					
Operating weight	59 Kg	85 Kg	98 Kg	160 Kg	255 Kg	288 Kg
Shipping weight	19 Kg	21 Kg	32 Kg	34 Kg	43 Kg	70 Kg
Inlet/Outlet/ Discharge fittings	¾" / ¾" / 0,5"					

* In order to optimize the operating of the device during the regeneration, an operating pressure of 4,5 BAR is suggested. With higher pressure values, it is recommended the installation of a pressure reducer.

M009-27 – Rev. 03 - 10/2017